

Lighting

PRODUCT CODE: AS BELOW

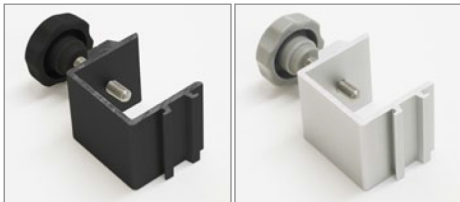


SP

150 Watt Spotlight & Clamp

Black Light & Clamp - SPLBLK

Silver Light & Clamp - SPLSLV



SLB

Stick Light Bracket

SIZE	PRODUCT CODE
245 C/C	SLB0245
367 C/C	SLB0367
490 C/C	SLB0490
735 C/C	SLB0735
735 C/C 2 clips	SLB0735-2
980 C/C 2 clips	SLB0980-2



SL

Stick Light

POWER	LENGTH	PRODUCT CODE
18 Watt	760mm	SL0760
30 Watt	1200mm	SL1200
36 Watt	1510mm	SL1510
58 Watt	1810mm	SL1810
70 Watt	2060mm	SL2060



SLC

Stick Light Clip replacement



SLBX

Stick Light Bracket Light to Light Extension



SLBH

Stick Light Bracket Hook On

Tecna Stick-Lite

Display Lighting

Technical Information

For indoor applications only

LAMP

T8 triphosphor colour 840 as standard, lamp life 20,000 hours average, other colour temperatures available to order. Any way up mounting, quick release plug, 3.2m cable, lamp replacement possible if lamp is not broken.

FIXING

Suspension hooks and mounting clips included.

COLOURS

Colours available guaranteed fade free from our DDP range, ice blue, sky blue, royal blue, purple, lavender, candy pink, pink, light red, red, light orange, orange, chrome green, leaf green, acid yellow and candlelight. Other filter colours available but not guaranteed fade free.

POWER CABLE

0.75mm 2 core flat PVC HO3WH2-F 300/300v. C7 and C8 plugs with Euro CEE7/16 plug, or 3amp fused UK plug BS1363A. Internal wiring PFA 2 x 0.59mm 240v RMS BS3G210. The external cable or cord of this luminaire cannot be replaced; if the cable or cord is damaged, the luminaire shall be destroyed. If the external flexible cable or cord is damaged, it shall be replaced by a special cord exclusively available from the manufacturer or his service agent.

VOLTAGE

220v-240v AC 50-60Hz, start up amps 0.98 operating amps 0.07 - 0.30 dependant on wattage.

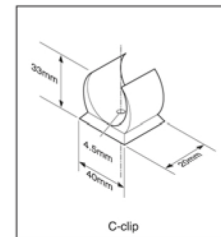
TEMPERATURE

Note lamps will run at a reduced light output in colder temperatures and reduced lamp/ballast life at higher temperatures.

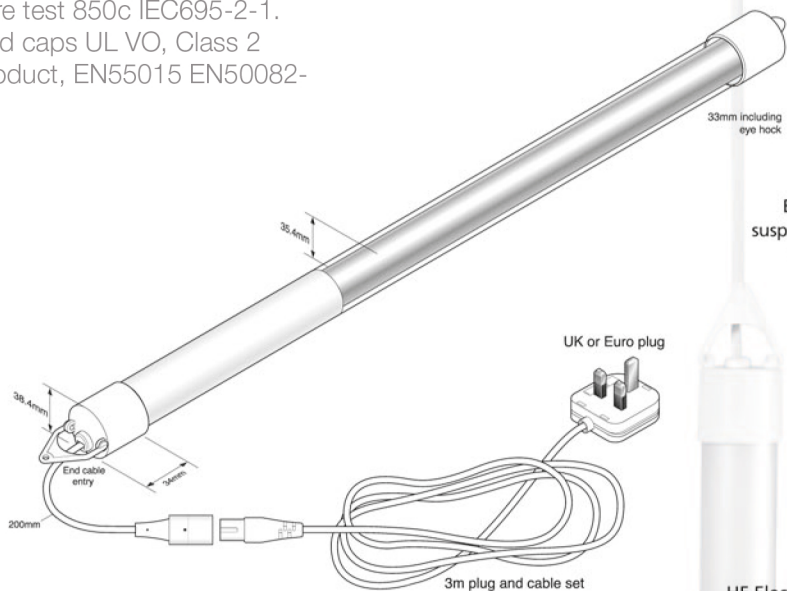


STANDARDS

Lamp holders EN60400. Outer casting RTI 125, UL94 glow wire test 850c IEC695-2-1. End caps UL VO, Class 2 product, EN55015 EN50082-



Quick release plug with 3.2m cable set. Do not suspend by power cable



Built in suspension hooks

HF Electronics

Triphosphor 20,000hr lamp, DDP totally fade free colours

1 EN61000-3-2. Covers EMC/LV requirements, CE WEEE and ROHS compliant, BS 4533; 102.1: 1990/EN 60598-2-1: 1989 & BS EN 60598-1: 2008.

RE-LAMPING

Disconnect power supply prior to re-lamping. Remove end cap opposite the cable end by twisting and pulling. Pull off lamp holder, pull

PRODUCT CODE	OVERALL	ILLUMINATED	OUTPUT
SL0760	760mm	570mm	18watt
SL1200	1200mm	875mm	30watt
SL1510	1510mm	1180mm	36watt
SL1810	1810mm	1480mm	58watt
SL2060	2060mm	1744mm	70watt